

Ultra High Precision, Surface Mount 4-Terminal Precision Resistor with Increased Power to 4W (14A max), Resistance Values from 20 mΩ to 100 mΩ, and TCR to ±15 ppm/°C

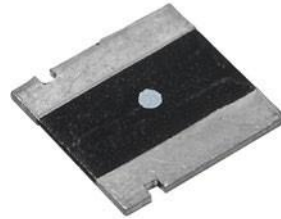
FEATURES

- Resistance range: 20 mΩ to 100 mΩ
- Temperature coefficient of resistance (TCR):
20 mΩ to 100 mΩ : 15 ppm/°C maximum
- Load life stability: ±0.2% (70°C, 2000 h at rated power)
- **Power rating: to 4 W (see Table 1)**
- Resistance tolerance: to ±0.1%
- Short time overload: ±0.2% typical
- Proprietary processing technique produces extremely low resistance values with improved stability
- All welded construction
- Solderable terminations
- Maximum current: up to 14 A
- Four terminal (Kelvin) design: allows for precise and accurate measurements
- Prototype quantities available in just 5 working days or sooner. For more information, please contact foil@vpgsensors.com
- For better performances, please contact us.

KEY APPLICATIONS

Applications requiring accuracy and repeatability under stress conditions such as the following:

- Switching and linear power supplies
- Precision current-sensing
- Power management systems
- Feedback circuits
- Power amplifiers
- Measurement instrumentation
- Precision instrumentation amplifiers
- Medical and automatic test equipment
- Satellites and aerospace systems
- Commercial and Military avionics
- Test and measurement equipment
- Electronic scales



INTRODUCTION

The CSM3637PY is a low value current sense resistor, providing power and precision in a four terminal, surface mount configuration. Its all welded construction is made up of a Bulk Metal® resistive element with plated copper terminations.

There are many current sense resistors on the market. Until now the combination of very stable and precise resistors with low TCR of ±15 ppm/°C maximum, tight tolerance of ±0.1% and load life stability of ±0.2% (2000h, +70°C at rated power) was not easily available.

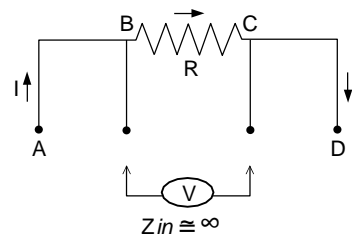
The key performance of the new CSM3637PY is its high rated power up to 4W.

These specifications are based on tests performed in accordance with methods prescribed by appropriate MIL-PRF standards (MIL-PRF-55342 and MIL-PRF-49465).

The four terminal device separates the current leads from the voltage sensing leads. This configuration eliminates the effect of the lead wire resistance from points A to B and C to D.

Our application engineering department is available to advise and make recommendations.

For non-standard technical requirements and special applications, please contact: foil@vpgsensors.com



Note

* This datasheet provides information about parts that are RoHS-compliant and/or parts that are non-RoHS-compliant. For example, parts with lead (Pb) terminations are not RoHS compliant. Please see the information/tables in this datasheet for details.

Figure 1 – Power Derating Curve

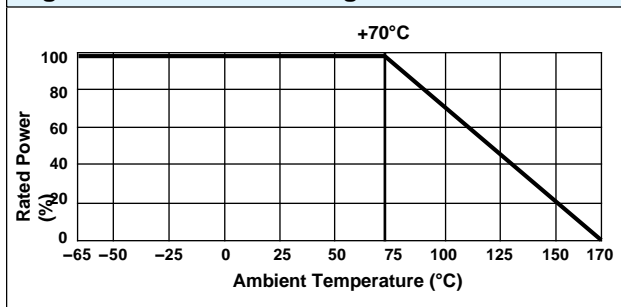
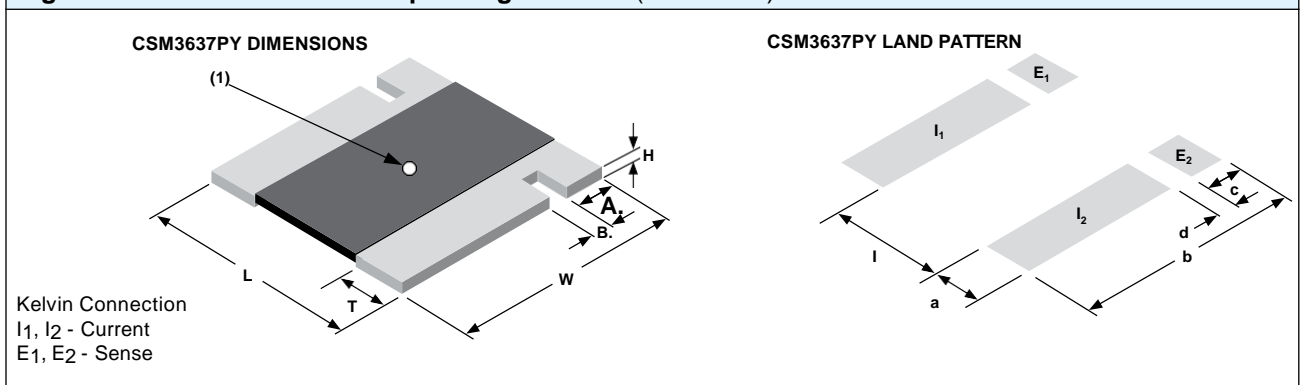


Table 1 – Specifications

PARAMETER	CSM3637PY
Resistance Range	20 mΩ to 100 mΩ
Power Rating at 70°C in free air	4 W (20 mΩ to 100 mΩ)
Maximum Current	14 A
Tightest Tolerance	±0.1%
Temperature Coefficient Of Resistance (TCR) (-55°C to +125°C, +25°C ref.)	20 mΩ to 100 mΩ: 15 ppm/°C maximum
Operating Temperature Range	-65°C to +170°C
Weight (maximum)	0.44 g

Figure 2 – Dimensions and Imprinting in Inches (Millimeters)



Dimensions – Tolerances ±0.010 (±0.254)

RESISTANCE RANGE (mΩ)	L	W	H	T	A	B
20 to 100	0.360 (9.144)	0.370 (9.398)	0.025 (0.635)	0.086 (2.184)	0.061 (1.549)	0.032 (0.813)

Land Pattern Dimensions – Tolerances ±0.003 (±0.076)

RESISTANCE RANGE (mΩ)	l	b	d	a	c	d
20 to 100	0.178 (4.52)	0.390 (9.91)	0.024 (0.610)	0.116 (2.95)	0.066 (1.68)	0.024 (0.610)

Note

(1) White dot indicates top side of part for mounting purposes.

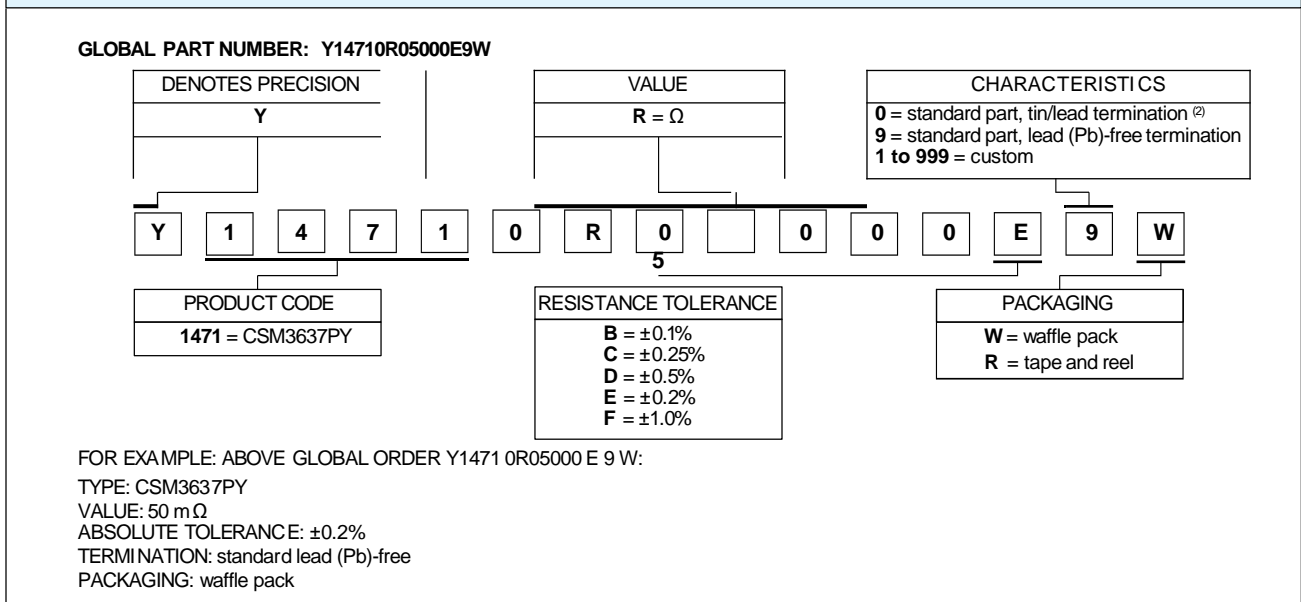
Table 2 – CSM3637PY Environmental Performance Comparison 20 mΩ to 100 mΩ

TEST	CONDITIONS	MIL-PRF-49465B ΔR LIMITS	TYPICAL ΔR LIMITS	MAXIMUM ΔR LIMITS ⁽¹⁾
Thermal Cycling	-55°C to +125°C, 1000 cycles, 15 min at each extreme	±(0.5%+0.0005R)	0.1%	0.3%
Load Life Stability	2000 h, 70°C at rated power	±(1.0%+0.0005R)	0.2%	0.6%
Bias Humidity	85°C, 85% humidity, 10% bias, 1000 h	±(0.5%+0.0005R)	0.05%	0.2%
Short Time Overload	2.5 × rated power for 5 s	±(0.5%+0.0005R)	0.2%	0.5%
High Temperature Exposure	1000 h, 170°C	±(1.0%+0.0005R)	0.2%	0.3%
Low Temperature Storage	MIL-PRF-49465	±(0.5%+0.0005R)	0.05%	0.1%
Moisture Resistance	MIL-STD-202, method 106, 0% power, 7a and 7b not required	±(0.5%+0.0005R)	0.02%	0.05%
Shock	100 g, 6 ms	±(0.1%+0.0005R)	0.02%	0.05%
Vibration	(10 Hz to 2000 Hz) 20 g	±(0.1%+0.0005R)	0.02%	0.05%
Resistance to Soldering Heat	10 s to 12 s at +260°C	±(0.25%+0.0005R)	0.05%	0.1%
Solderability	MIL-STD-202	95% coverage	–	–

Note

⁽¹⁾ Add 0.0005R as per MIL-PRF-49465B

Table 3 – Global Part Number Information⁽¹⁾



Note

⁽¹⁾ For non-standard requests, please contact foil@vpgsensors.com.

⁽²⁾ For the tin/lead termination option at standard performances, please contact foil@vpgsensors.com.



Disclaimer

ALL PRODUCTS, PRODUCT SPECIFICATIONS AND DATA ARE SUBJECT TO CHANGE WITHOUT NOTICE.

Vishay Precision Group, Inc., its affiliates, agents, and employees, and all persons acting on its or their behalf (collectively, "VPG"), disclaim any and all liability for any errors, inaccuracies or incompleteness contained herein or in any other disclosure relating to any product.

The product specifications do not expand or otherwise modify VPG's terms and conditions of purchase, including but not limited to, the warranty expressed therein.

VPG makes no warranty, representation or guarantee other than as set forth in the terms and conditions of purchase. **To the maximum extent permitted by applicable law, VPG disclaims (i) any and all liability arising out of the application or use of any product, (ii) any and all liability, including without limitation special, consequential or incidental damages, and (iii) any and all implied warranties, including warranties of fitness for particular purpose, non-infringement and merchantability.**

Information provided in datasheets and/or specifications may vary from actual results in different applications and performance may vary over time. Statements regarding the suitability of products for certain types of applications are based on VPG's knowledge of typical requirements that are often placed on VPG products. It is the customer's responsibility to validate that a particular product with the properties described in the product specification is suitable for use in a particular application. You should ensure you have the current version of the relevant information by contacting VPG prior to performing installation or use of the product, such as on our website at vpgsensors.com.

No license, express, implied, or otherwise, to any intellectual property rights is granted by this document, or by any conduct of VPG.

The products shown herein are not designed for use in life-saving or life-sustaining applications unless otherwise expressly indicated. Customers using or selling VPG products not expressly indicated for use in such applications do so entirely at their own risk and agree to fully indemnify VPG for any damages arising or resulting from such use or sale. Please contact authorized VPG personnel to obtain written terms and conditions regarding products designed for such applications.

Product names and markings noted herein may be trademarks of their respective owners.

Copyright Vishay Precision Group, Inc., 2014. All rights reserved.